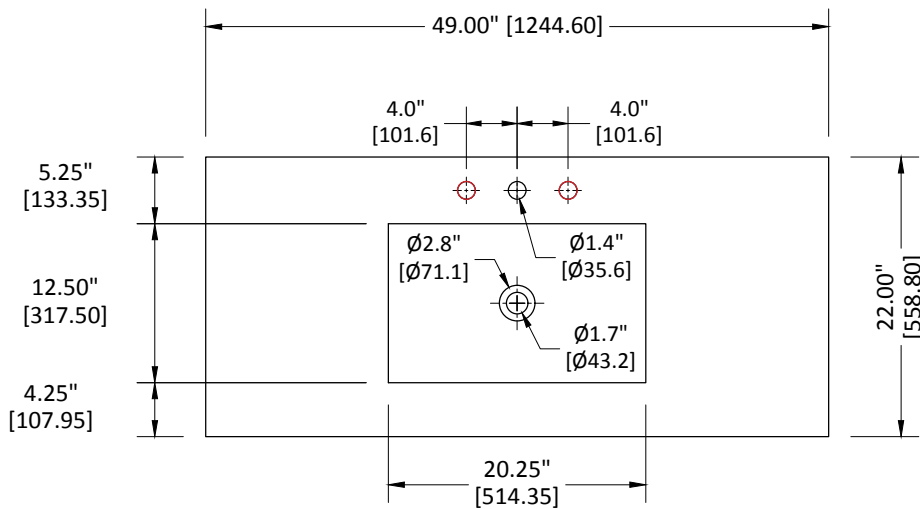
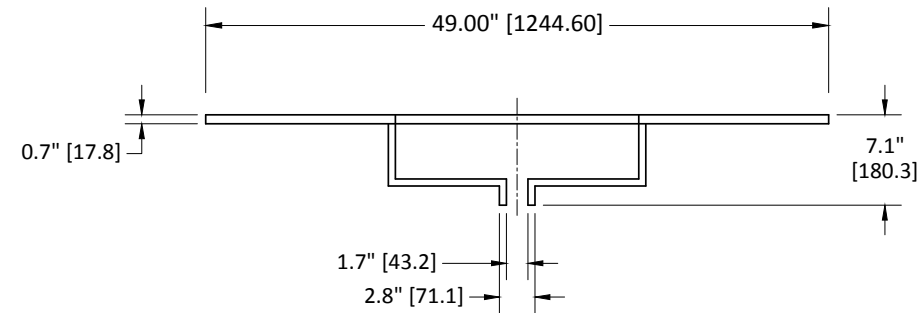


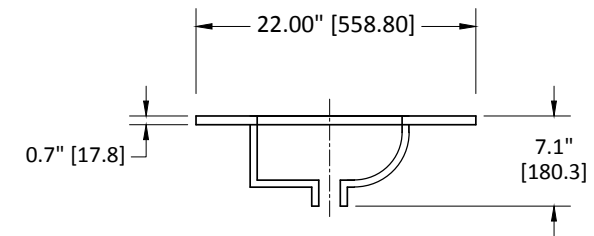
## 49" Wide Vitreous China Vanity Top

Three hole drilling for 8" spread faucet set shown.  
Single hole drilling model is identical with the exception of the two faucet holes.



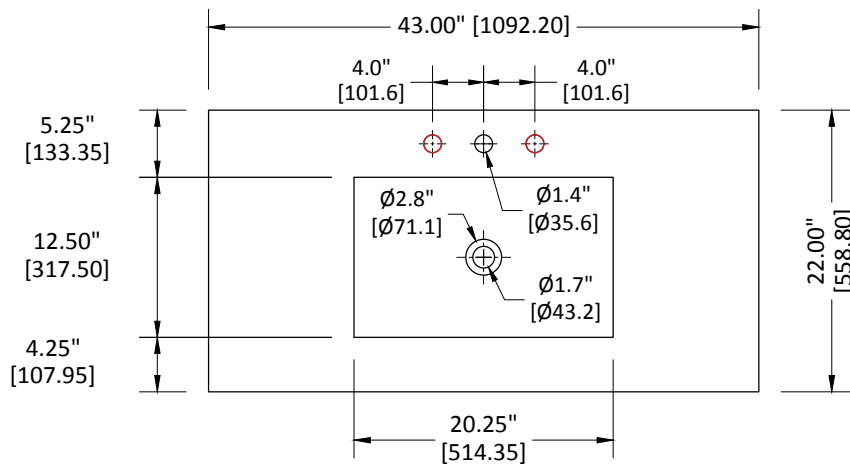
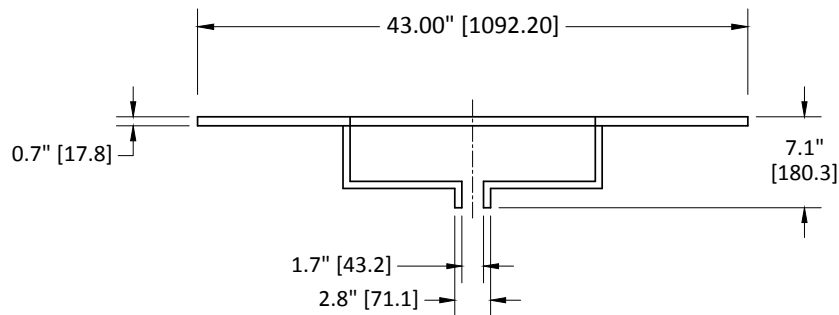
### SPECIFICATION VARIANCES

All measurements are nominal.  
All china tops are cast in molds and are therefore subject to significant variations in dimension caused by mold variation.



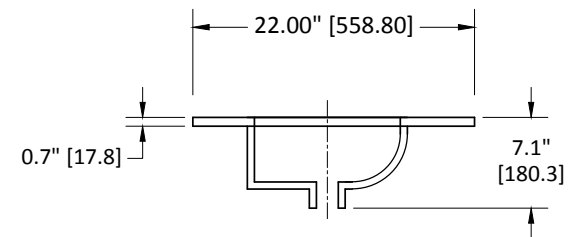
## 43" Wide Vitreous China Vanity Top

Three hole drilling for 8" spread faucet set shown.  
Single hole drilling model is identical with the exception of the two faucet holes.



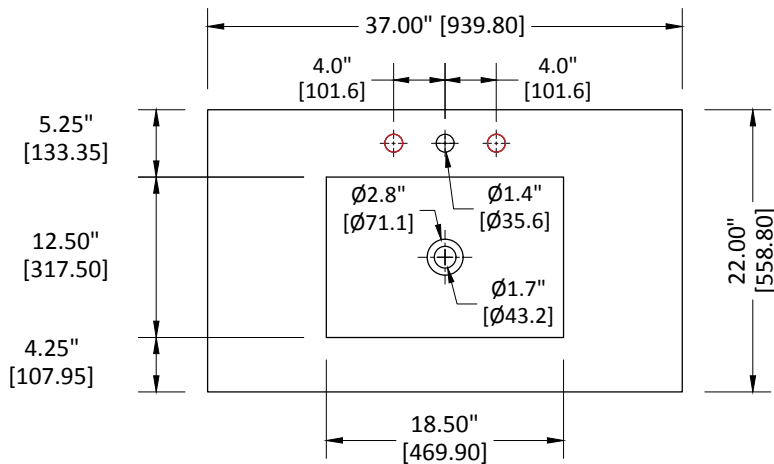
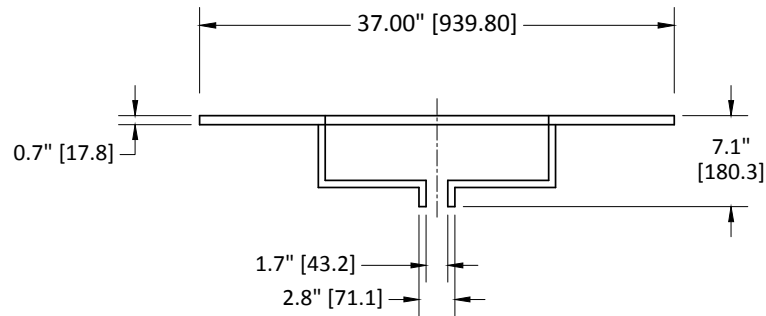
### SPECIFICATION VARIANCES

All measurements are nominal. All china tops are cast in molds and are therefore subject to significant variations in dimension caused by mold variation.



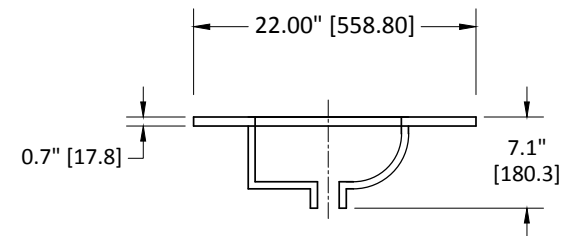
## 37" Wide Vitreous China Vanity Top

Three hole drilling for 8" spread faucet set shown.  
Single hole drilling model is identical with the exception of the two faucet holes.



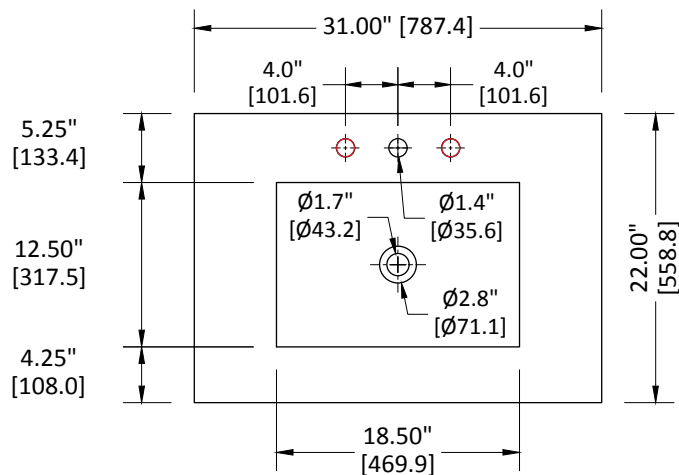
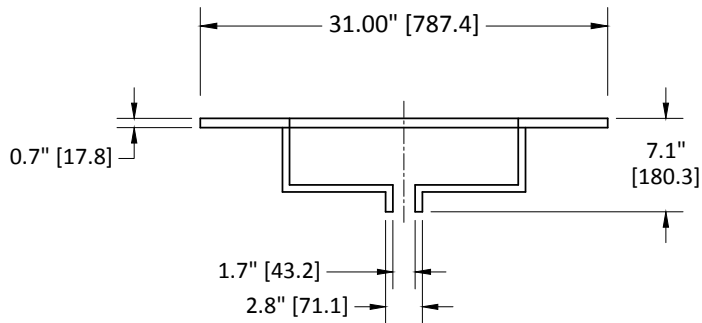
### SPECIFICATION VARIANCES

All measurements are nominal. All china tops are cast in molds and are therefore subject to significant variations in dimension caused by mold variation.



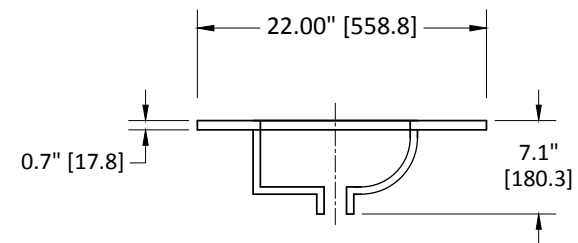
## 31" Wide Vitreous China Vanity Top

Three hole drilling for 8" spread faucet set shown.  
Single hole drilling model is identical with the exception of the two faucet holes.



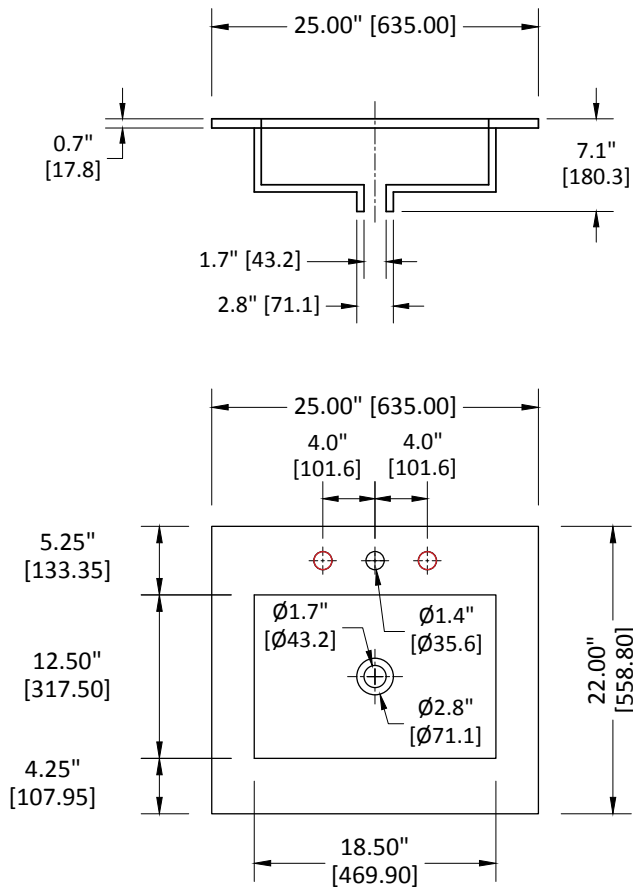
### SPECIFICATION VARIANCES

All measurements are nominal. All china tops are cast in molds and are therefore subject to significant variations in dimension caused by mold variation.



## 25" Wide Vitreous China Vanity Top

Three hole drilling for 8" spread faucet set shown.  
Single hole drilling model is identical with the exception of the two faucet holes.



### SPECIFICATION VARIANCES

All measurements are nominal. All china tops are cast in molds and are therefore subject to significant variations in dimension caused by mold variation.

