

Specification Sheets for Contemporary Medicine Cabinets

SPECIFICATION VARIANCES

Dimensions on finished vanities may vary slightly from those shown on these specification sheets due to variability in construction materials.

Our products are engineered to maintain close dimensional tolerances but variability in manufacturing materials can change dimensions slightly (normally within $\pm 1/8"$ but occasionally up to $\pm 3/16"$).

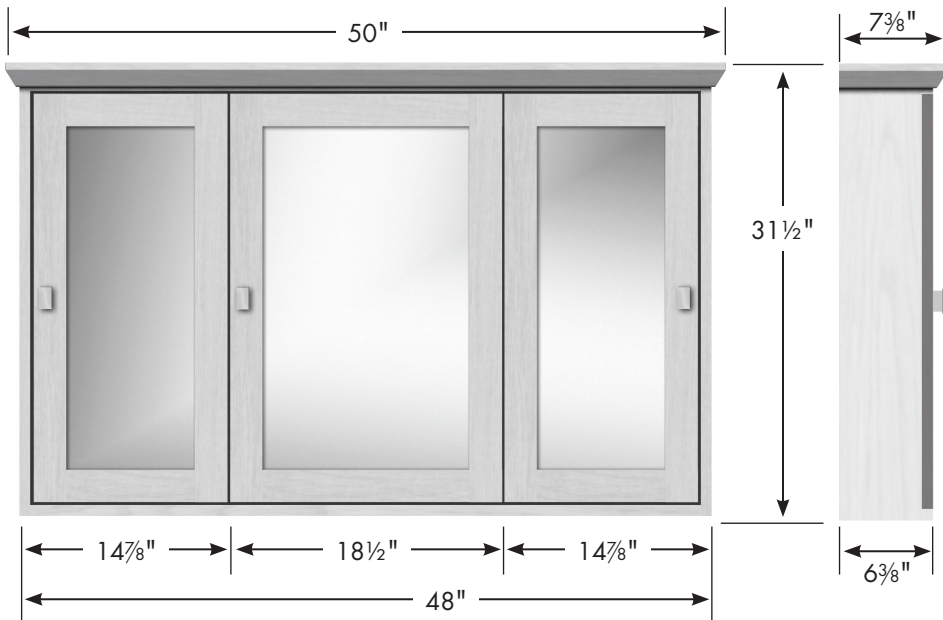
In most applications these slight variations will have no impact upon installation, appearance or function. However, when planning and finishing a space for a built in vanity, **do not frame or finish the space before measuring the actual cabinet!**

We can not be responsible for any expenses incurred as a result of the end user or contractor not following this guideline.

REV: 2019-03

STRASSER

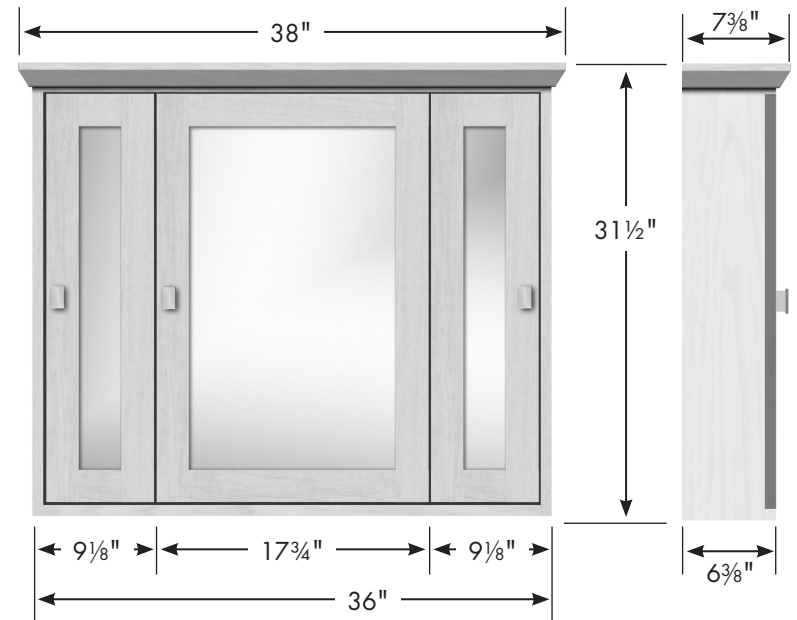
48" & 36" Contemporary Medicine Cabinets



2 adjustable acrylic shelves each compartment (6 total).

48" Contemporary Medicine Cabinet

48" wide
31 1/2" tall
5 1/2" front-to-back



2 adjustable acrylic shelves each compartment (6 total).

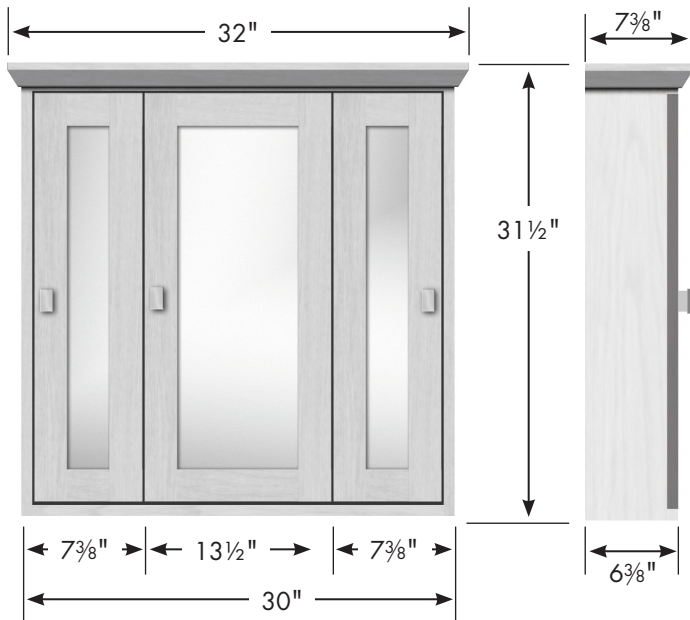
36" Contemporary Medicine Cabinet

36" wide
31 1/2" tall
5 1/2" front-to-back



STRASSER

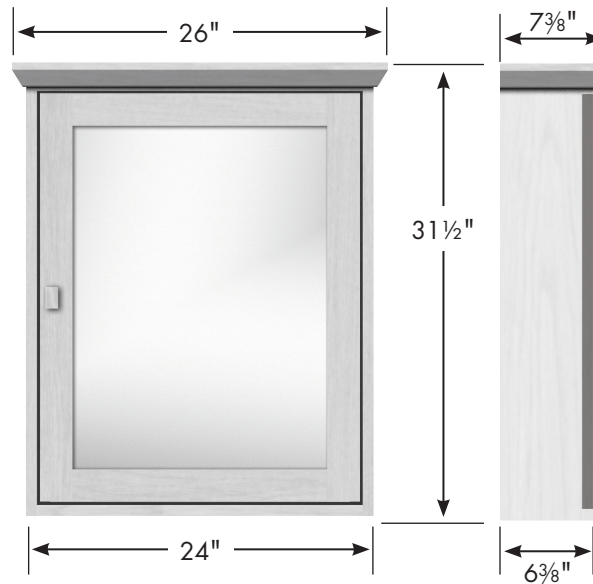
30", 24" & 19" Contemporary Medicine Cabinets



2 adjustable acrylic shelves each compartment (6 total).

30" Contemporary Medicine Cabinet

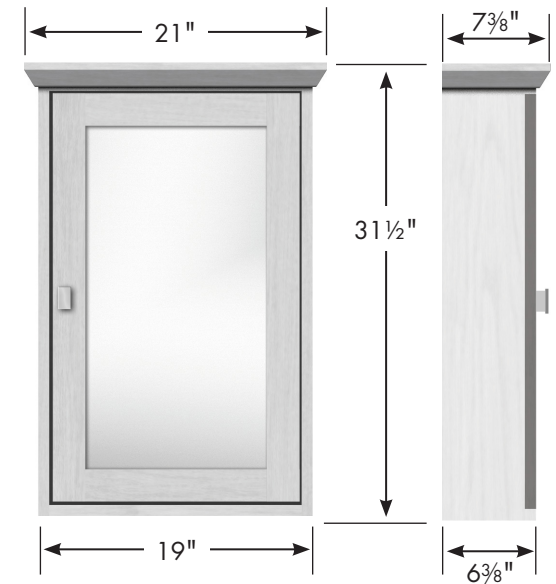
30" wide
31 1/2" tall
5 1/2" front-to-back



2 adjustable acrylic shelves

24" Contemporary Medicine Cabinet

24" wide
31 1/2" tall
5 1/2" front-to-back



2 adjustable acrylic shelves

19" Contemporary Medicine Cabinet

19" wide
31 1/2" tall
5 1/2" front-to-back

