

Specification Sheets for SoDo Town Vanities

SPECIFICATION VARIANCES

Dimensions on finished vanities may vary slightly from those shown on these specification sheets due to variability in construction materials.

Our products are engineered to maintain close dimensional tolerances but variability in manufacturing materials can change dimensions slightly (normally within $\pm 1/8"$ but occasionally up to $\pm 3/16"$).

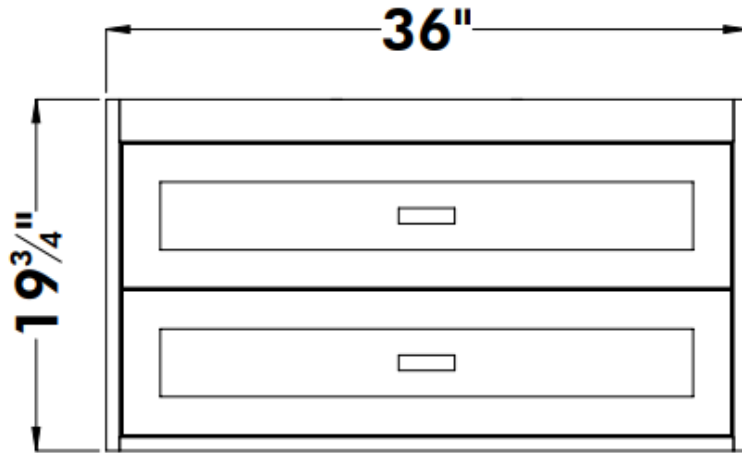
In most applications these slight variations will have no impact upon installation, appearance or function. However, when planning and finishing a space for a built in vanity, **do not frame or finish the space before measuring the actual cabinet!**

We can not be responsible for any expenses incurred as a result of the end user or contractor not following this guideline.

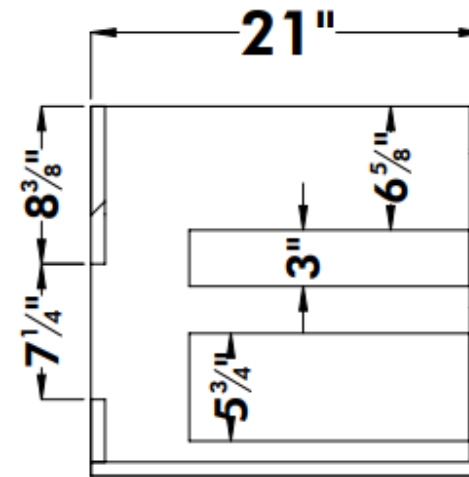
STRASSER

SoDo Town Vanity 36" Vanity

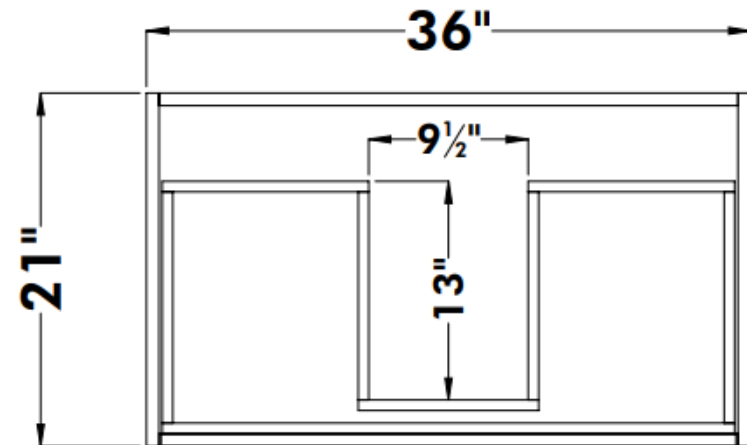
Front View



Side View

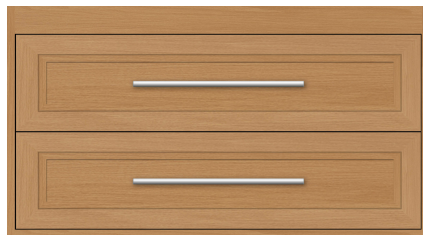


Top View



36" SoDo Vanity

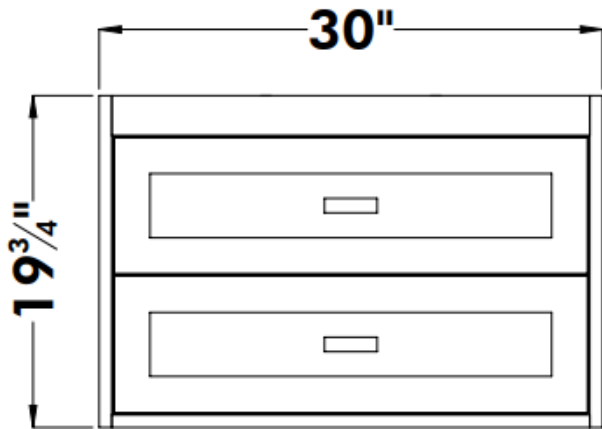
36" wide
19³/₄" tall
21" or 18¹/₂" front-to-back



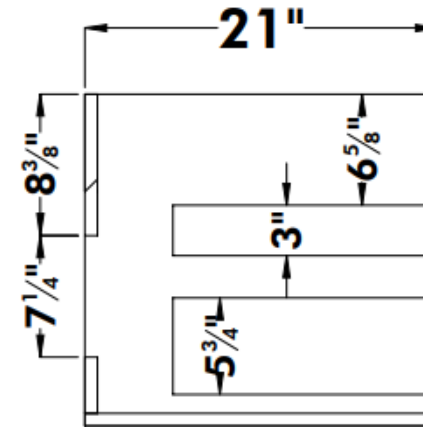
STRASSER

SoDo Town Vanity 30" Vanity

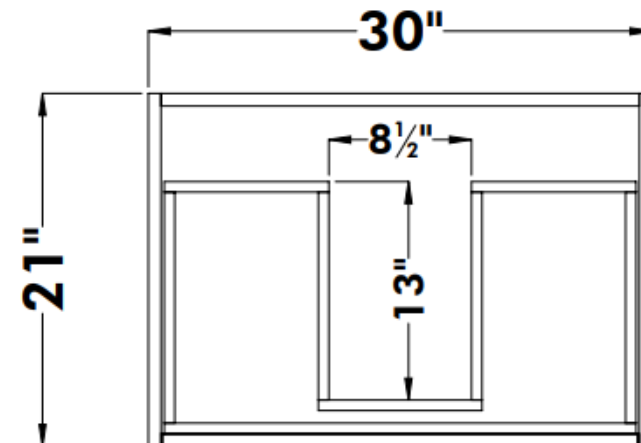
Front View



Side View

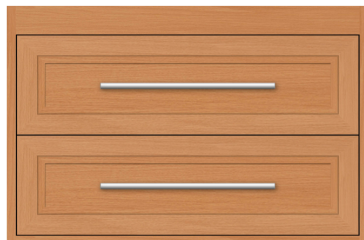


Top View



30" SoDo Vanity

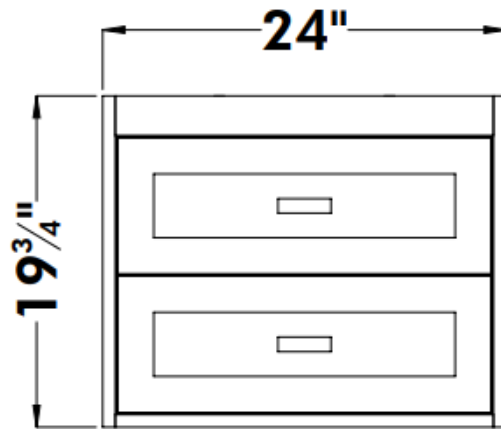
30" wide
19³/₄" tall
21" or 18¹/₂" front-to-back



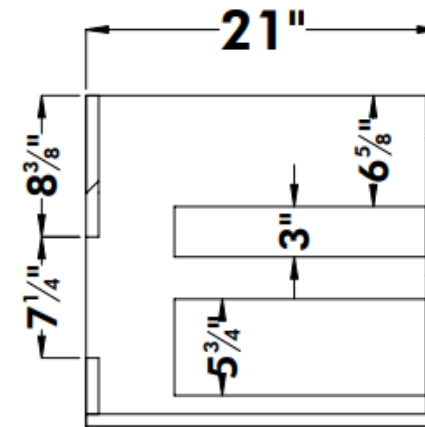
STRASSER

SoDo Town Vanity 24" Vanity

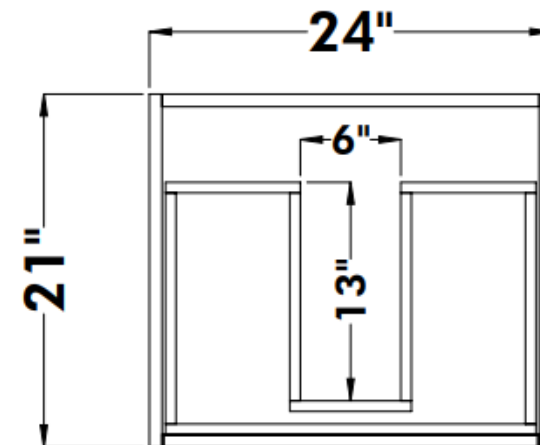
Front View



Side View



Top View



24" SoDo Vanity

24" wide
19 3/4" tall
21" or 18 1/2" front-to-back

